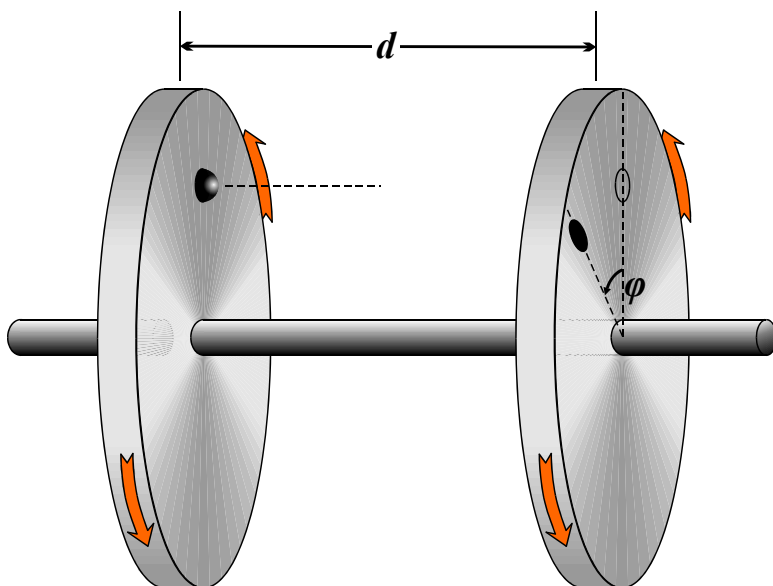
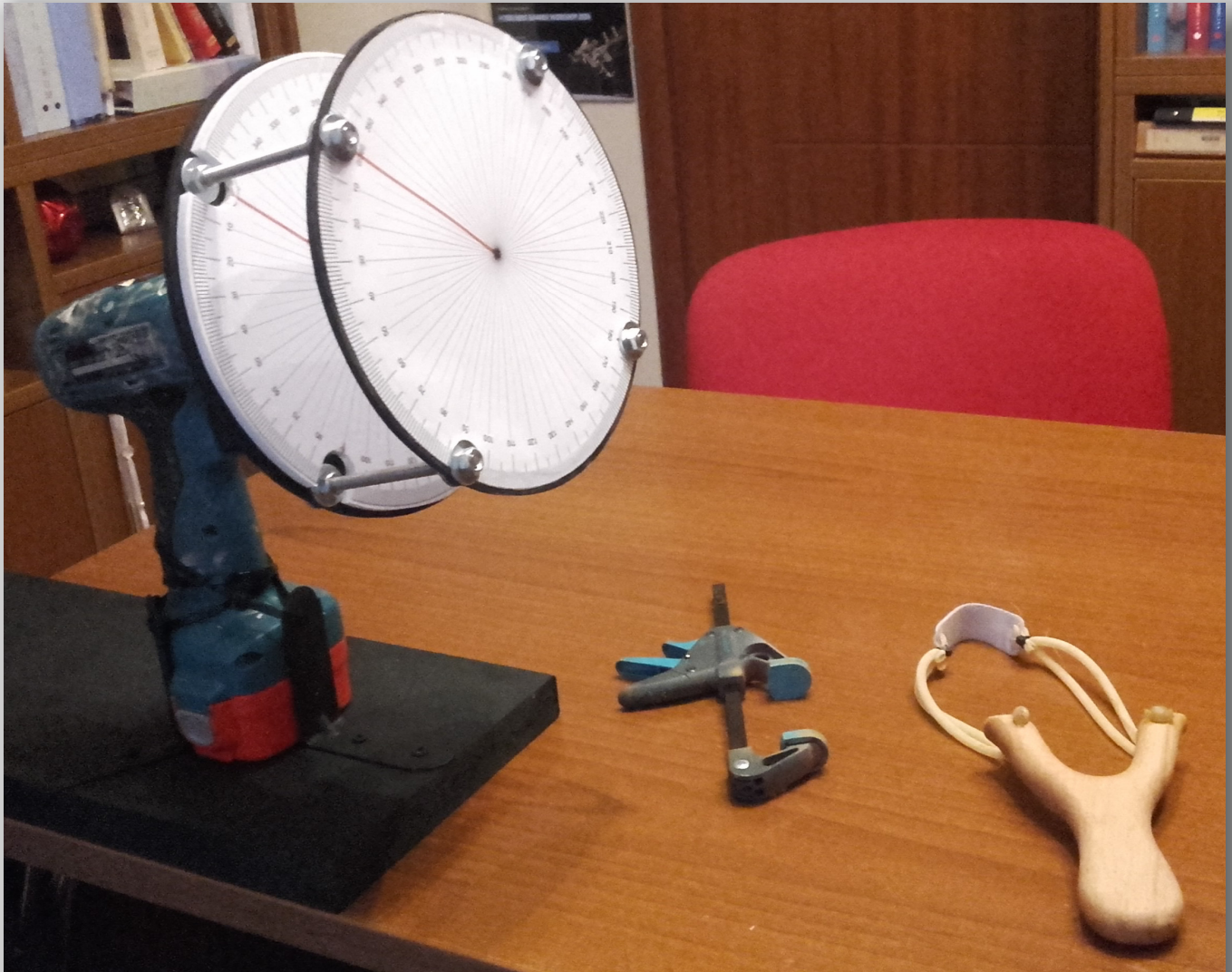


# Ταχύτητα Βλήματος



<https://youtu.be/chEFqeqDIU>



$$\left. \begin{aligned} d = vt &\Rightarrow t = d/v \\ \varphi = \omega t &\Rightarrow t = \varphi/\omega \end{aligned} \right\} \Rightarrow$$

$$\Rightarrow \frac{d}{v} = \frac{\varphi}{\omega} \Rightarrow v = \frac{d\omega}{\varphi} \Rightarrow$$

$$\xrightarrow{\omega=2\pi f} v = \frac{d2\pi f}{\varphi}$$